

## Product Overview and Features

The adapter provides the following:

- 100% compatible with Xilinx Vivado, ISE & SDK
- SW Drivers already integrated into Xilinx installation
- 100% compatible with Xilinx JTAG connectors
- Cascading few boards into a single cable
- 

## Block Diagram

The AVT-ONIX-JTAG-EXP board block diagram shown in Figure 1.

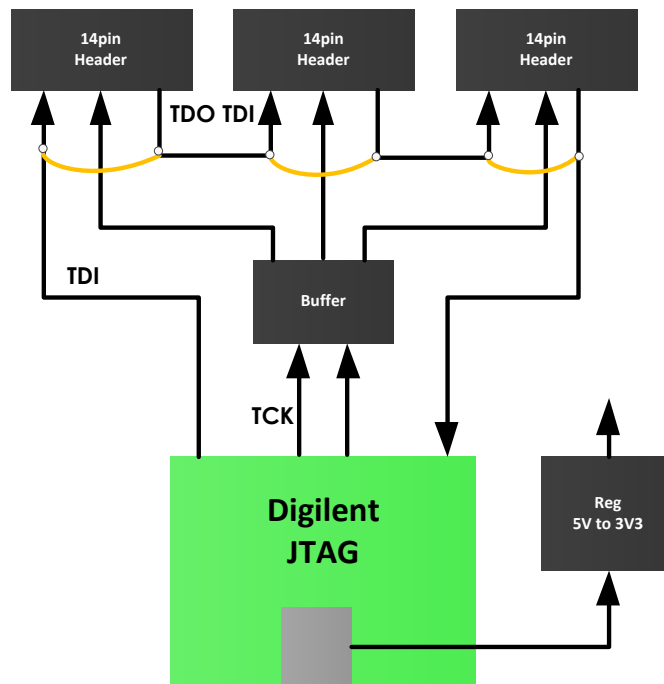


FIGURE 1 - AVT-ONIX-JTAG-EXP BLOCK DIAGRAM

## Ordering Information

### Part

Part Number	Description	Price
AVT-ONIX-JTAG-EXP-G	JTAG Expander adapter	Contact your local distributor

### Related Products

Part Number	Description	Price
AVT-ONIX-VU440-1	ONIX Module XCVU440 -1 Device	Contact ONIX
AVT-ONIX-VU440-2	ONIX Module XCVU440 -2 Device	Contact ONIX