



## Product Overview

The ONIX DDR3 SODIMM Adapter is a DDR4 form factor board. The Adapter includes 204 pin DDR3 SODIMM vertical connector and can support up to 64 bit data width.

## Block Diagram

The AVT-ONIX-DDR3 board block diagram shown in Figure 1.

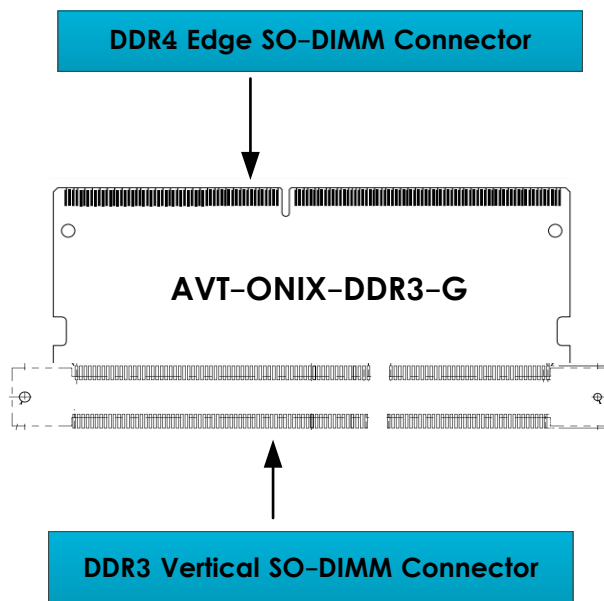


FIGURE 1 - AVT-ONIX-DDR3 BLOCK DIAGRAM

## Ordering Information

### Part

Part Number	Description	Price
AVT-ONIX-DDR3- G	DDR4 to DDR3 adapter	Contact your local distributor

### Related Products

Part Number	Description	Price
AVT-ONIX-VU440-1	ONIX Module XCVU440 -1 Device	Contact ONIX
AVT-ONIX-VU440-2	ONIX Module XCVU440 -2 Device	Contact ONIX